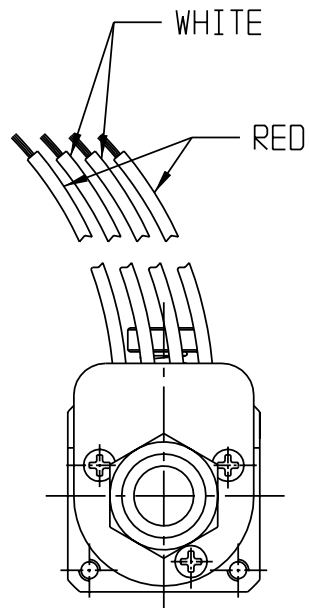
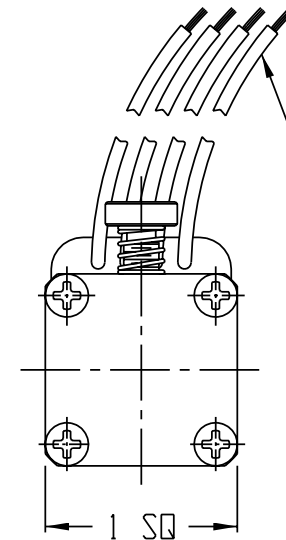
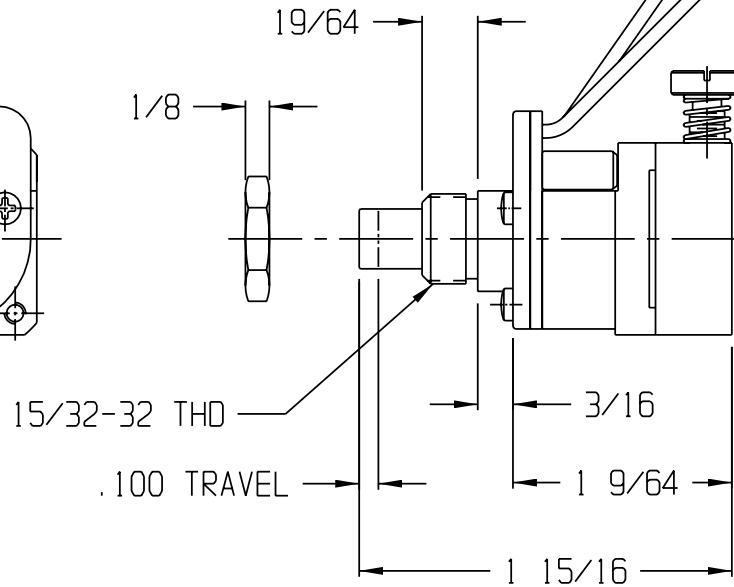


DATE	SYM	REVISION RECORD	AUTH.	DR.	CK.
5/09	-	INITIAL RELEASE	-	WJR	



ADJUSTMENT SCREW - SEE PERFORMANCE CURVE FOR APPROX. INITIAL SETTING



#18 AWG X 10" LONG
.032 PVC INSULATION

- 5. TIMING REPEATABILITY TOLERANCE $\pm 10\%$ AT CONSTANT TEMPERATURE.
- 4. CONSTRUCTION: ANODIZED ALUMINUM HOUSING; PLATED STEEL PLUNGER; BRASS ADJ SCREW.
- 3. FORM Z CONTACT CONFIGURATION
- 2. SWITCH: 5 AMP 125 VAC

NOTES: 1. WIRES: #18 AWG X 10" LG, 2 WHITE (N.O.)
2 RED (N.C.).

TOLERANCES (EXCEPT AS NOTED)
DECIMAL $\pm .010$
FRACTIONAL $\pm 1/64$
ANGULAR $\pm -$

H/GHPower SECURITY PRODUCTS, LLC			
290 PRATT STREET, 4TH FLOOR, MERIDEN, CT 06450			
MINIATURE FORM Z PNEUMATIC TIMER	SCALE 1:1	DRWN. WJR	APPR.
DATA SHEET- PNEUMATIC TIMER			
DATE 5/5/09	DRAWING NUMBER 750-4000		REV. 5/5/09